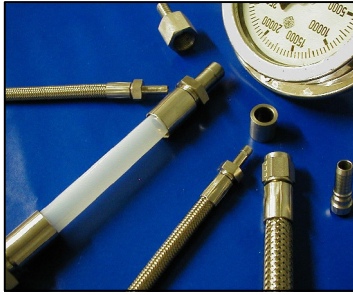


B-FLEX



Approvals

- USP Class VI
- FDA 21 CFR177.1550
- USDA
- 3A Sanitary Standards

Features and Benefits

- Full Vacuum Rated
- True I.D. (Better Flow Rate)
- Drains Easily
- Rated for -100°F to 500°F
- Thick Dupont Teflon® Wall Design
- 316 Stainless Steel Fittings
- High Pressure Rated

Applications

- Load Cell
- Bulk Transfers
- CIP/ SIP Systems
- Filling Equipments
- Brake Lines
- Fermentation Lines
- Process Lines
- Adhesive Conveying
- Mold Press
- Sanitary Transfer
- Oil Supply Lines
- Sampling Systems
- Paint Sprays
- Steam Transfers

Construction of Hose

Smooth Tube PTFE (Inner Core)

- PTFE Teflon® (Dupont T-62)
- Non-Contaminating
- Easy to clean
- Non-aging & non-stick surface
- Chemically resistant handles a variety of fluids & gases
- Non-absorbent/ will not impart taste or odor
- No deterioration over time
- Smooth liner- no entrapment issues, reduces build-up of deposits
- Low friction

Stainless Steel Braid (Outer Layer)

- Unique braid reinforcement allows hose to maintain its shape and support once positioned
- Increases the bending capability of the hose
- Protects inner-core from being damaged
- Adds strength to hose
- 304 Stainless Steel Braid

Connections

- Tubing and Connections has identical dimension match.
- Internally Chamfered- Allows a smooth transition between hose and fitting.
- Electro-polished connections available.
- Crimp ferrules made with 304 Stainless steel.
- End connections made with 316L stainless steel.
- Custom parts can be machined upon customer request.
- Custom material options like 304, 321, Carbon Steel, Hastelloy, Brass, Alloy 20, ect.

FlexFit B-Flex Hose

The I.D. (Inner Diameter) of this hose has a true I.D. This means that when you purchase a 1/2" hose, the I.D. of that hose is 1/2".

- This allows the hose to have a better flow rate
- Fittings can be machined to dimensionally match mating connections
- Full range of end connection are available for B-Flex Hoses
- Minimize use of adapters to decrease leak points, minimize number of connects and overall reduce cost
- 4 to 1 safety factor

B-Flex Hose Specifications

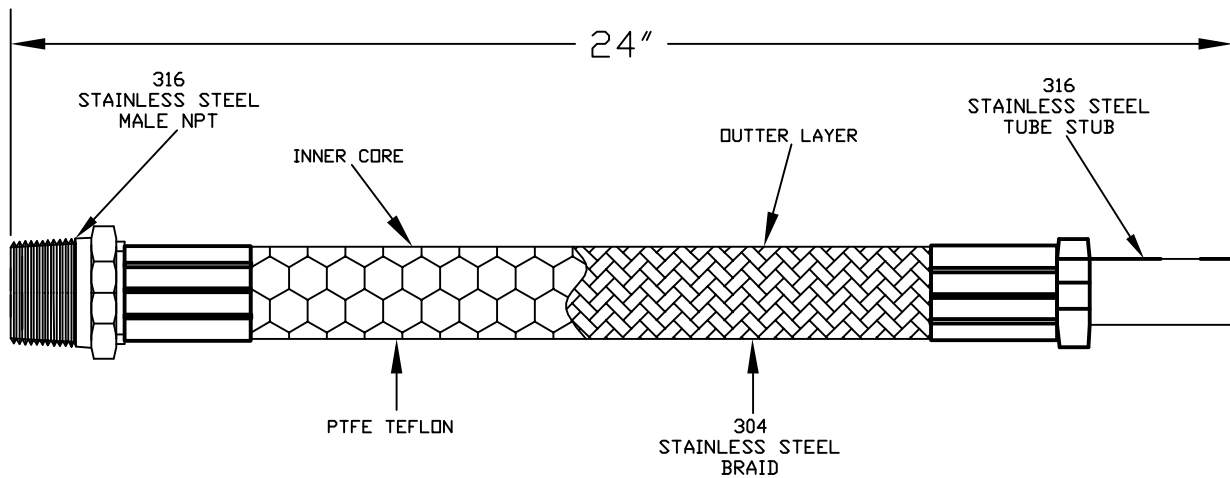
Name	Working Pressure	Burst Pressure	Hose I.D. (Inches/ MM)	Hose O.D. (Inches/ MM)	Bend Radius (Inches/ MM)	Weight
B-FLEX-02	3,500 PSI	15,000 PSI	0.13 IN / 3.30 MM	0.25 IN / 6.350 MM	1.5 IN / 38.10 MM	0.05 LBS/FT
B-FLEX-04	3,200 PSI	12,800 PSI	0.25 IN / 6.35 MM	0.41 IN / 10.41 MM	1.5 IN / 38.10 MM	0.10 LBS/FT
B-FLEX-06	2,500 PSI	10,000 PSI	0.38 IN / 9.65 MM	0.53 IN / 13.46 MM	2.0 IN / 50.80 MM	0.12 LBS/FT
B-FLEX-08	2,000 PSI	8,000 PSI	0.50 IN / 12.70 MM	0.67 IN / 17.01 MM	3.0 IN / 76.20 MM	0.16 LBS/FT
B-FLEX-12	1,000 PSI	4,500 PSI	0.75 IN / 19.05 MM	0.87 IN / 22.09 MM	8.2 IN / 208.28 MM	0.22 LBS/FT
B-FLEX-16	1,000 PSI	4,000 PSI	1.00 IN / 25.40 MM	1.19 IN / 30.22 MM	12.0 IN / 304.80 MM	0.51 LBS/FT

Part Numbering System

Example: ½" B-flex Hose with ½" Male NPT X ½" Tube Stub. 24" Overall Length.

08 BF 03 32 - 24"

Hose Size (Inches)	Hose Style	Fitting Style	Fitting Style	Tagging / Electropolishing/ Special Covers	Length
02 (1/8")	BF / BFB	02 Female JIC	02 Female JIC	FT- Flex Tag	?
04 (1/4")	BF / BFB	03 Male Pipe, NPT	03 Male Pipe, NPT	MT- M Tag	?
06 (3/8")	BF / BFB	06 Female Pipe, NPT	06 Female Pipe, NPT	EP- Electro Polished	?
08 (1/2")	BF / BFB	07 Female Union, NPT	07 Female Union, NPT	OC- Oxygen Clean	?
12 (3/4")	BF / BFB	08 Male Union, NPT	08 Male Union, NPT	AG- Armor Guard Casing	?
16 (1")	BF / BFB	10 Sanitary Tri-Clamp	10 Sanitary Tri-Clamp	SG- Spiral Guard	?
		11 Mini Sanitary Tri-Clamp	11 Mini Sanitary Tri-Clamp		
		31 Male Compression	31 Male Compression		
		32 Tube Adaptor	32 Tube Adaptor		



FlexFit
Hose LLC.

Solutions with Flexibility.

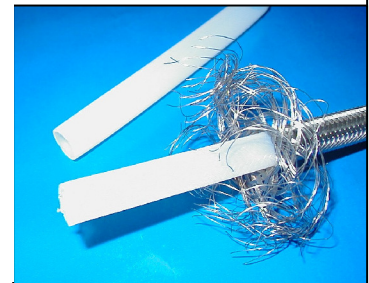
Phone: (410) 327-0758

Fax: (410) 327-0759

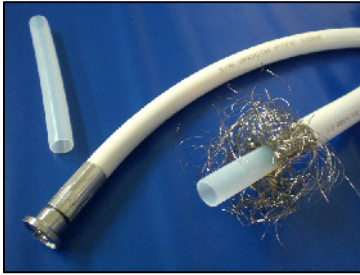
www.FlexFitHose.com

Email: FlexFitHose@gmail.com

Sales@FlexFitHose.com



ST-FLEX



Approvals

- USP Class VI
- FDA 21 CFR 177.1550
- USDA
- 3A Sanitary Standards

Features and Benefits

- Full Vacuum Rated
- True I.D. (Better Flow Rate)
- Drains Easily
- Rated for -100°F to 500°F
- Thick Dupont Teflon® Wall Design
- 316 Stainless Steel Fittings
- High Pressure Rated
- Can be sterilized and autoclaved
- Extra flexible

Applications

- Load Cell
- Bulk Transfers
- CIP/ SIP Systems
- Filling Equipments
- Steam Transfers
- Fermentation Lines
- Process Lines
- Adhesive Conveying
- Mold Press
- Sanitary Transfer
- Oil Supply Lines
- Sampling Systems
- Paint Sprays
- Feed Lines
- Acid Transfers
- Solvent Transfers
- Bioreactor Process Lines
- Weight Scales

Construction of Hose

Smooth Tube PTFE (Inner Core)

- PTFE Teflon® (Dupont T-62)
- Non-Contaminating
- Easy to clean
- Non-aging & non-stick surface
- Chemically resistant handles a variety of fluids &
- Non-absorbent/ will not impart taste or odor
- No deterioration over time
- Smooth liner- no entrapment issues, reduces
- Low friction

Stainless Steel Braid (Outer Layer)

- Unique braid reinforcement allows hose to maintain its shape and support once positioned
- Increases the bending capability of the hose
- Protects inner-core from being damaged
- Adds strength to hose
- 304 Stainless Steel Braid

Silicone Jacket (Outer Layer)

- Smooth non-contaminating
- Cover is high temperature rated
- Non-aging
- Insulates hot/cold media through hose
- Chemically compatible

Connections

- Tubing and Connections has identical dimension match.
- Internally Chamfered- Allows a smooth transition between hose and fitting.
- Electro-polished connections available.
- Crimp ferrules made with 304 Stainless steel.
- End connections made with 316L stainless steel.
- Custom parts can be machined upon customer request.
- Custom material options like 304, 321, Carbon Steel, Hastelloy, Brass, Alloy 20, ect.

FlexFit ST-Flex Hose

The I.D. (Inner Diameter) of our hose has a true I.D. This hose has a silicone cover over the stainless steel braid, to prevent particles from getting in the braid. ST-Flex was engineered for the need of food and beverage, pharmaceutical, and biotech applications.

- Minimize use of adapters to decrease leak points
- Full range of end connection are available for ST-Flex Hoses
- Sanitary end connections are machined with a finish or 15 Ra or less.
- 4 to 1 safety factor

ST-Flex Hose Specifications

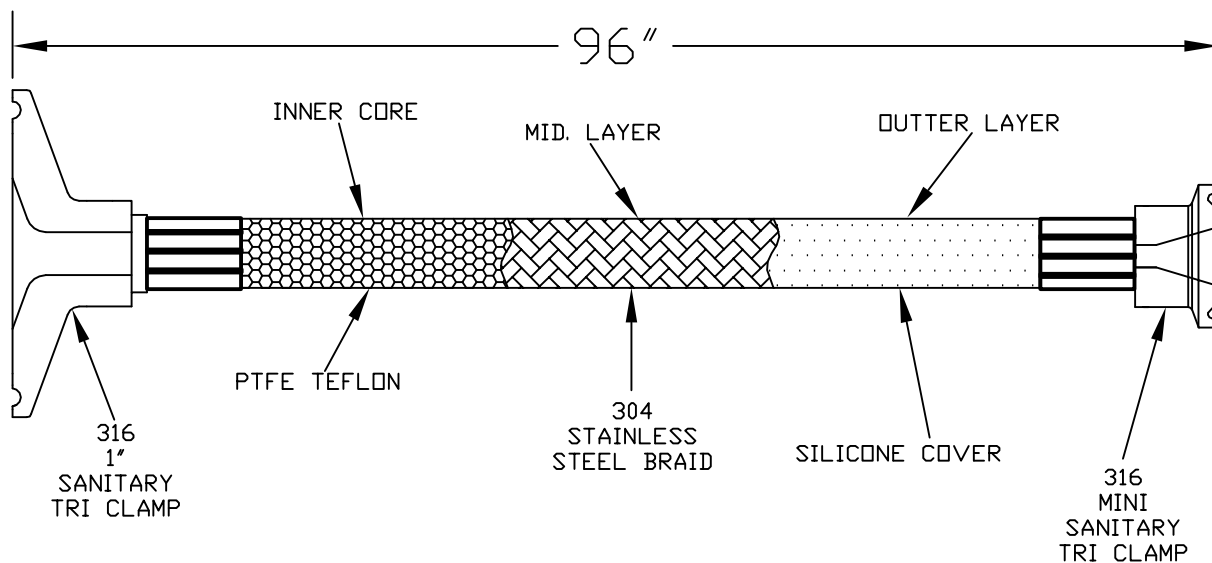
Name	Working Pressure	Burst Pressure	Hose I.D. (Inches/ MM)	Hose O.D. (Inches/ MM)	Bend Radius (Inches/ MM)	Weight
ST-FLEX-04	3,250 PSI	13,000 PSI	0.25 IN / 6.35 MM	0.49 IN / 12.44 MM	1.5 IN / 38.10 MM	.13 LBS/FT
ST-FLEX-06	2,500 PSI	10,000 PSI	0.37 IN / 9.39 MM	0.61 IN / 15.49 MM	2.0 IN / 50.80 MM	.15 LBS/FT
ST-FLEX-08	2,000 PSI	8,000 PSI	0.50 IN / 12.70 MM	0.76 IN / 19.30 MM	3.0 IN / 76.20 MM	.18 LBS/FT

Part Numbering System

Example: ¼" ST-flex Hose with 1" Sanitary Tri Clamp X ½" Mini Sanitary. 96" Overall Length.

04 STF 10 11 - 96"

Hose Size (Inches)	Hose Style	Fitting Style	Fitting Style	Tagging / Electropolishing/ Special Covers	Length
04 (1/4")	STF / STFB	02 Female JIC	02 Female JIC	FT- Flex Tag	?
06 (3/8")	STF / STFB	03 Male Pipe, NPT	03 Male Pipe, NPT	MT- M Tag	?
08 (1/2")	STF / STFB	06 Female Pipe, NPT	06 Female Pipe, NPT	EP- Electro Polished	?
		07 Female Union, NPT	07 Female Union, NPT	OC- Oxygen Clean	?
		08 Male Union, NPT	08 Male Union, NPT	AG- Armor Guard Casing	?
		10 Sanitary Tri-Clamp	10 Sanitary Tri-Clamp	SG- Spiral Guard	?
		11 Mini Sanitary Tri-Clamp	11 Mini Sanitary Tri-Clamp		
		31 Male Compression	31 Male Compression		
		32 Tube Adaptor	32 Tube Adaptor		



FlexFit Hose LLC.

Solutions with Flexibility.

Phone: (410) 327-0758

Fax: (410) 327-0759

www.FlexFitHose.com

Email: FlexFitHose@gmail.com

Sales@FlexFitHose.com



C-FLEX



Approvals

- USP Class VI
- FDA 21 CFR177.1550
- USDA
- 3A Sanitary Standards

Features and Benefits

- Full Vacuum Rated
- True I.D. (Better Flow Rate)
- Drains Easily
- Rated for -100°F to 500°F
- Thick Dupont Teflon® Wall Design
- 316 Stainless Steel Fittings
- High Pressure Rated
- Can be sterilized and autoclaved
- Extra flexible

Applications

- Load Cell
- Bulk Transfers
- CIP/ SIP Systems
- Filling Equipments
- Steam Transfers
- Fermentation Lines
- Process Lines
- Adhesive Conveying
- Mold Press
- Sanitary Transfer
- Oil Supply Lines
- Sampling Systems
- Paint Sprays
- Feed Lines
- Acid Transfers
- Solvent Transfers

Construction of Hose

Convolutted PTFE (Inner Core)

- Helical convolution allows product to drain completely
- PTFE Teflon® (Dupont T-62)
- Non-Contaminating
- Easy to clean
- Non-aging & non-stick surface
- Chemically resistant, handles a variety of fluids and gases
- Non-absorbent/ will not impart taste or odor
- No deterioration over time
- Smooth liner- no entrapment issues, reduces build-up of deposits
- Low friction

Stainless Steel Braid (Outer Layer)

- Unique braid reinforcement allows hose to maintain its shape and support once positioned
- Increases the bending capability of the hose
- Protects inner-core from being damaged
- Adds strength to hose
- 304 Stainless Steel Braid

Connections

- Tubing and Connections has identical dimension match.
- Internally Chamfered- Allows a smooth transition between hose and fitting.
- Electro-polished connections available.
- Crimp ferrules made with 304 Stainless steel.
- End connections made with 316L stainless steel.
- Custom parts can be machined upon customer request.
- Custom material options like 304, 321, Carbon Steel, Hastelloy, Brass, Alloy 20, ect.

FlexFit C-Flex Hose

C-Flex by FlexFit is designed for applications requiring extra flexibility. We use a low profile design, which has the following benefits.

- Minimize flow loss
- This design allows the hose to drain completely
- Full range of end connection are available for C-Flex Hoses
- The convolutions are not as deep as traditional or other hoses
- 4 to 1 safety factor

C-Flex Hose Specifications

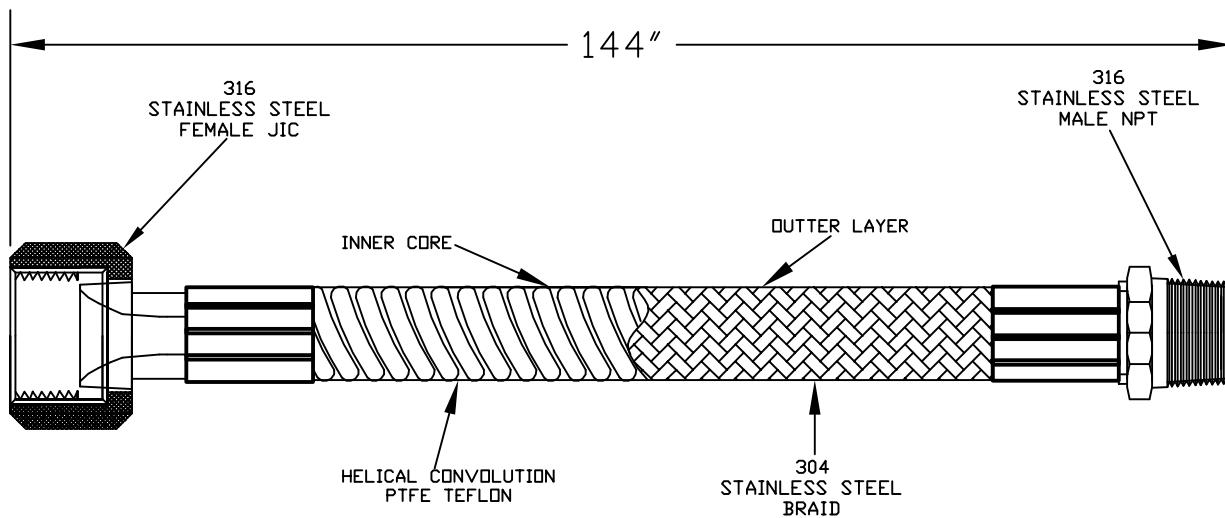
Name	Working Pressure	Burst Pressure	Hose I.D. (Inches/ MM)	Hose O.D. (Inches/ MM)	Bend Radius (Inches/ MM)	Weight
C-FLEX-08	1,500 PSI	6,000 PSI	0.50 IN/ 12.70 MM	0.76 IN/ 19.30 MM	2.5 IN/ 63.5 MM	0.19 LBS/FT
C-FLEX-12	1,100 PSI	4,400 PSI	0.75 IN/ 19.05 MM	1.00 IN/ 25.40 MM	3.0 IN/ 76.2 MM	0.27 LBS/FT
C-FLEX-16	1,000 PSI	4,000 PSI	1.00 IN/ 25.40 MM	1.32 IN/ 33.52 MM	5.5 IN/ 139.70 MM	0.39 LBS/FT
C-FLEX-24	700 PSI	2,800 PSI	1.50 IN/ 38.10 MM	2.03 IN/ 51.56 MM	6.0 IN/ 152.40 MM	0.75 LBS/FT
C-FLEX-32	525 PSI	2,100 PSI	2.00 IN/ 50.80 MM	2.46 IN/ 62.48 MM	7.5 IN/ 190.50 MM	0.89 LBS/FT

Part Numbering System

Example: ¾" C-flex Hose with ¾" Female JIC X ¾" Male NPT. 144" Overall Length.

12 CF 02 03 - 144"

Hose Size (Inches)	Hose Style	Fitting Style	Fitting Style	Tagging / Electropolishing/ Special Covers	Length
08 (1/2")	CF / CFB	02 Female JIC	02 Female JIC	FT- Flex Tag	?
12 (3/4")	CF / CFB	03 Male Pipe, NPT	03 Male Pipe, NPT	MT- M Tag	?
16 (1")	CF / CFB	06 Female Pipe, NPT	06 Female Pipe, NPT	EP- Electro Polished	?
24 (1 1/2")	CF / CFB	07 Female Union, NPT	07 Female Union, NPT	OC- Oxygen Clean	?
32 (2")	CF / CFB	08 Male Union, NPT	08 Male Union, NPT	AG- Armor Guard Casing	?
		10 Sanitary Tri-Clamp	10 Sanitary Tri-Clamp	SG- Spiral Guard	?
		11 Mini Sanitary Tri-Clamp	11 Mini Sanitary Tri-Clamp		
		31 Male Compression	31 Male Compression		
		32 Tube Adaptor	32 Tube Adaptor		



FlexFit
Hose LLC.

Solutions with Flexibility.

Phone: (410) 327-0758

Fax: (410) 327-0759

www.FlexFitHose.com

Email: FlexFitHose@gmail.com

Sales@FlexFitHose.com

