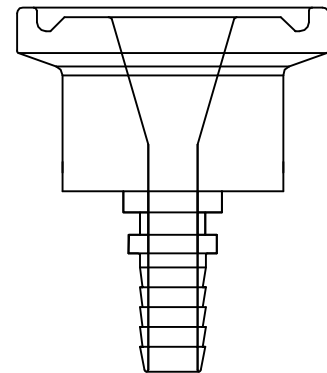
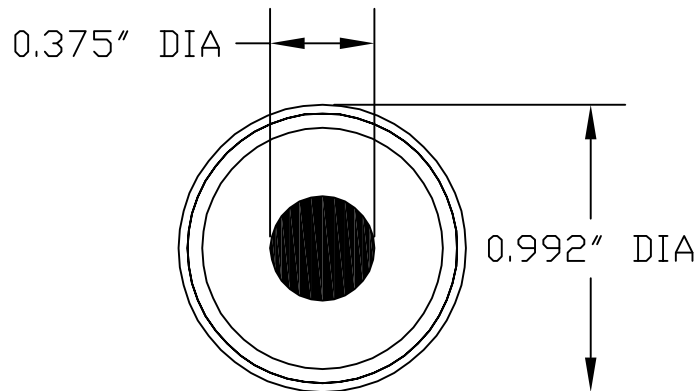


1/2" Mini Sanitary

Connection Style	Hose Barb Size	Connection Size	Part Number
Mini Sanitary	1/8"	1/2"	FF0211
Mini Sanitary	1/4"	1/2"	FF0411
Mini Sanitary	3/8"	1/2"	FF0611
Mini Sanitary	1/2"	1/2"	FF0811



Part Numbering System

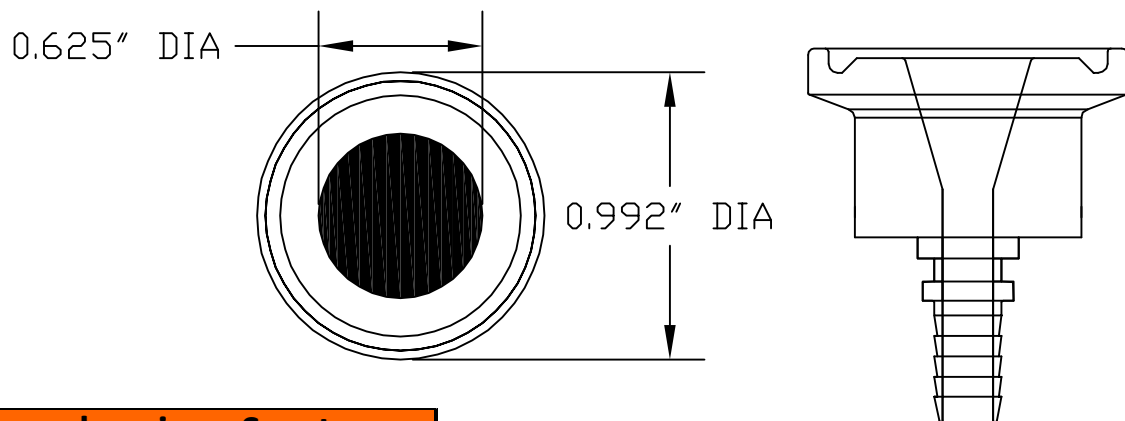
Example: 04 FF 11 11 - 60"

Hose Size I.D.	Hose Style	Conn. Style	Conn. Style	Length
04	FF	11	11	60"
1/4" I.D. Hose	Teflon Lined, Fiberglass Braided Hose	1/2" Mini Sanitary	1/2" Mini Sanitary	5 Feet Long

- Internal Chamfered - Allows a smooth transition between hose and fittings.
- Made with 316L Stainless Steel.
- Crimp ferrules made with 304 Stainless Steel.
- Electro-polished connection available.
- Tubing and connection has identical dimension match.
- Sanitary fittings are stamped with part numbers and heat numbers.
- Internal surface finish of 15 R.A. or less.

3/4" Mini Sanitary

Connection Style	Hose Barb Size	Connection Size	Part Number
3/4" Mini Sanitary	1/8"	3/4"	FF0211 U
3/4" Mini Sanitary	1/4"	3/4"	FF0411 U
3/4" Mini Sanitary	3/8"	3/4"	FF0611 U
3/4" Mini Sanitary	1/2"	3/4"	FF0811 U
3/4" Mini Sanitary	3/4"	3/4"	FF1211 U
3/4" Mini Sanitary	1"	3/4"	FF1611 U



Part Numbering System

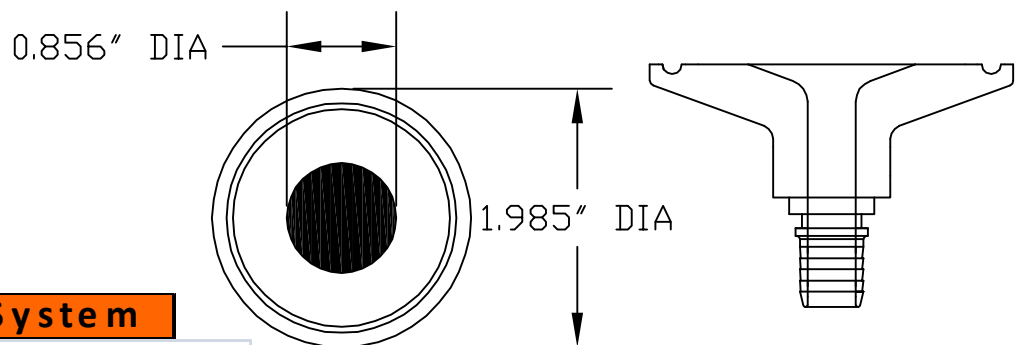
Example: 06 STF 11U 11U - 48"

Hose Size I.D.	Hose Style	Conn. Style	Conn. Style	Length
06	STF	11U	11U	48"
3/8" I.D. Hose	Teflon Lined, Stainless Steel Braided, Silicone Cover	3/4" Mini Sanitary	3/4" Mini Sanitary	4 Feet Long

- Internal Chamfered - Allows a smooth transition between hose and fittings.
- Made with 316L Stainless Steel.
- Crimp ferrules made with 304 Stainless Steel.
- Electro-polished connection available.
- Tubing and connection has identical dimension match.
- Sanitary fittings are stamped with part numbers and heat numbers.
- Internal surface finish of 15 R.A. or less.

1 " S a n i t a r y

Connection Style	Hose Barb Size	Connection Size	Part Number
1" Sanitary	1/8"	1"	FF0210
1" Sanitary	1/4"	1"	FF0410
1" Sanitary	3/8"	1"	FF0610
1" Sanitary	1/2"	1"	FF0810
1" Sanitary	3/4"	1"	FF1210
1" Sanitary	1"	1"	FF1610



Part Numbering System

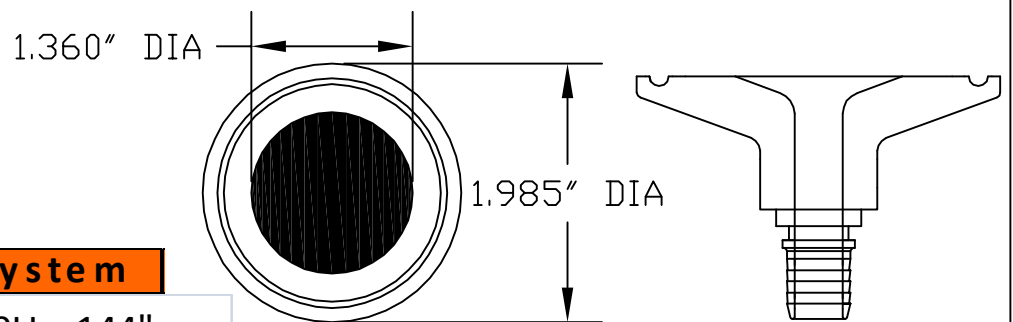
Example: 02 BF 10 10 - 360"

Hose Size I.D.	Hose Style	Conn. Style	Conn. Style	Length
02	BF	10	10	360"
1/8" I.D. Hose	Teflon Lined, Stainless Steel Braided Hose	1" Sanitary	1" Sanitary	30 Feet

- Internal Chamfered - Allows a smooth transition between hose and fittings.
- Made with 316L Stainless Steel.
- Crimp ferrules made with 304 Stainless Steel.
- Electro-polished connection available.
- Tubing and connection has identical dimension match.
- Sanitary fittings are stamped with part numbers and heat numbers.
- Internal surface finish of 15 R.A. or less.

1 1/2" Sanitary

Connection Style	Hose Barb Size	Connection Size	Part Number
1 1/2" Sanitary	1/8"	1 1/2"	FF0210 U
1 1/2" Sanitary	1/4"	1 1/2"	FF0410 U
1 1/2" Sanitary	3/8"	1 1/2"	FF0610 U
1 1/2" Sanitary	1/2"	1 1/2"	FF0810 U
1 1/2" Sanitary	3/4"	1 1/2"	FF1210 U
1 1/2" Sanitary	1"	1 1/2"	FF1610 U



Part Numbering System

Example: 12 BF 10U 10U - 144"

Hose Size I.D.	Hose Style	Conn. Style	Conn. Style	Length
12	BF	10 U	10 U	144"
3/4" I.D. Hose	Teflon Lined, Stainless Steel Braided Hose	1 1/2" Sanitary	1 1/2" Sanitary	12 Feet Long

- Internal Chamfered- Allows a smooth transition between hose and fittings.
- Made with 316L Stainless Steel.
- Crimp ferrules made with 304 Stainless Steel.
- Electro-polished connection available.
- Tubing and connection has identical dimension match.
- Sanitary fittings are stamped with part numbers and heat numbers.
- Internal surface finish of 15 R.A. or less.