

CONSTRUCTION OF HOSE

SMOOTH PTFE LINER – INNER LAYER

- Polytetrafluoroethylene – PTFE Liner
- Non-absorbent non-stick surface
- Will not impart taste or odor
- Non-Contaminating
- Easy to clean
- Non-aging: no deterioration over time
- Chemical resistance allows for the handling of various fluids
- Reduces entrapment issues
- Reduces build-up of deposits
- Low friction

STAINLESS STEEL BRAID – OUTER LAYER

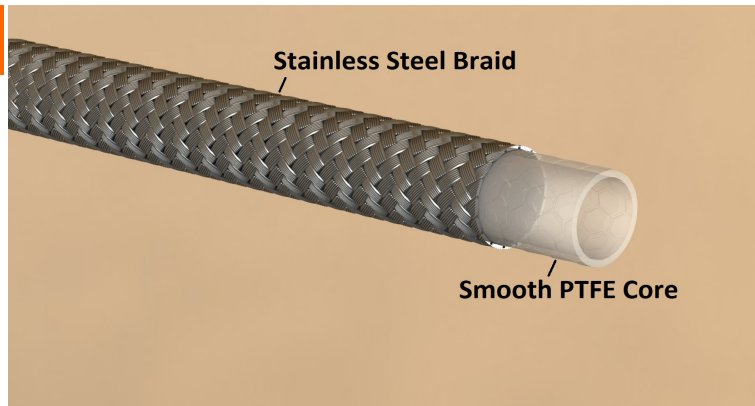
- Constructed of 304 braided stainless steel
- Strengthens the PTFE hose core
- Increases the bending capability of hose
- Protects the PTFE hose core from damage
- Unique braid reinforcement allows hose to maintain its shape

HOSE FITTINGS

- Tubing and connections have identical dimension match
- Hose fittings are 316 stainless steel
- Crimp collars are 304 stainless steel
- Custom hose fittings are available
- Other materials available: hastelloy, inconel, and brass
- Jump size hose fittings are available, which decreases potential leak points
- Electro-Polished fittings available
- Cleaning for oxygen service and other cleaning specs

THE FLEXFIT HOSE DIFFERENCE!

- 100% Hydrostatically tested
- Cleaned, capped, & individually bagged
- Material & test reports with every order
- All products are labeled for trace-ability
- Commitment to customer service excellence



APPROVALS

Meets or exceeds the following standards:

- USP Class VI
- FDA 21 CFR177.1550
- USDA
- 3A Sanitary Standards
- NSF 51

SAMPLE APPLICATIONS

- Load Cell
- Bulk Transfer
- CIP / SIP Systems
- Filling Equipment
- Steam Transfer
- Fermentation Lines
- Process Lines
- Sanitary Transfer
- Oil Supply Lines
- Sampling Systems
- Paint Sprays
- Feed Lines
- Acid Transfer
- Solvent Transfer
- Mold Press
- Adhesive Conveying

BENEFITS

- Temperature range from -100°F up to 450°F
- True inner diameter or I.D.
- Full vacuum rated
- Easily drains
- PTFE hose is highly flexible
- Can be sterilized and autoclaved
- Thick or heavy-wall core PTFE hose design

| Name | Working Pressure | Burst Pressure | Hose I.D. (Inches) | Hose O.D. (Inches) | Bend Radius (Inches) | Weight (LBS) |
|-------------|------------------|----------------|--------------------|--------------------|----------------------|--------------|
| B-FLEX-02 | 3,500 PSI | 15,000 PSI | 0.125 IN | 0.25 IN | 1.5 IN | 0.05 LBS/FT |
| B-FLEX-04 | 3,200 PSI | 12,800 PSI | 0.25 IN | 0.41 IN | 1.5 IN | 0.10 LBS/FT |
| B-FLEX-06 | 2,500 PSI | 10,000 PSI | 0.375 IN | 0.53 IN | 2.0 IN | 0.12 LBS/FT |
| B-FLEX-08 | 2,000 PSI | 8,000 PSI | 0.50 IN | 0.67 IN | 3.0 IN | 0.16 LBS FT |
| B-FLEX-12 | 1,000 PSI | 4,500 PSI | 0.75 IN | 0.87 IN | 8.2 IN | 0.22 LBS/FT |
| B-Flex-12DB | 1,500 PSI | 6,000 PSI | 0.75 IN | 0.98 IN | 8.0 IN | 0.32 LBS/FT |
| B-FLEX-16 | 1,000 PSI | 4,000 PSI | 1.00 IN | 1.19 IN | 12.0 IN | 0.51 LBS/FT |

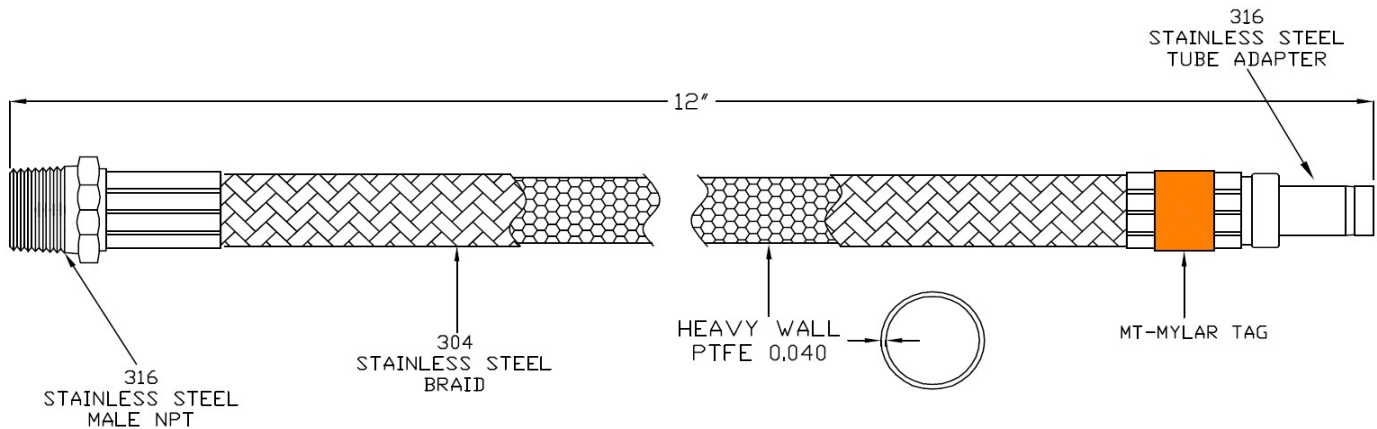
Note: All hoses shown are also offered with conductive core (BFB)

Part Numbering

| Hose Size | Hose Style | Fitting Style | Options | Length |
|-----------|------------|-----------------------------|-----------------------|--------|
| 02 (1/8") | BF/BFB | 02 Female JIC | AG - Armor Guard | X" |
| 04 (1/4") | BF/BFB | 03 Male Pipe NPT | EP - Electro Polished | |
| 06 (3/8") | BF/BFB | 06 Female Pipe NPT | FS – Fire Sleeve | |
| 08 (1/2") | BF/BFB | 07 Female NPT Union | FT - Flex Tag | |
| 12 (3/4") | BF/BFB | 08 Male NPT Union | MT - Mylar Tag | |
| 16 (1") | BF/BFB | 10 Sanitary Tri-Clover | OC - Oxygen Cleaned | |
| | | 11 Mini Sanitary Tri-Clover | SG - Spiral Guard | |
| | | 12 Flange #150 or #300 | SPG - Spring Guard | |
| | | 31 Male Compression | | |
| | | 32 Tube Adaptor | | |
| | | 34 Female Face Seal | | |

Example of Part Number: 04BF0332MT-12"

| | | | | | |
|------------------|-------------------|-----------------------|-----------------------|---------------|---------------|
| 04 | BF | 03 | 32 | MT | -12" |
| Hose Size | Hose Style | Hose Fitting 1 | Hose Fitting 2 | Option | Length |



Warranty Information:

FlexFit Hose LLC provides a 12-month warranty on material defects and workmanship for this product. Our obligation is to replace the defective portion or refund the purchase price. User assumes all other risk if any, including risk of injury, loss or damage arising of use, misuse, or inability to use this product